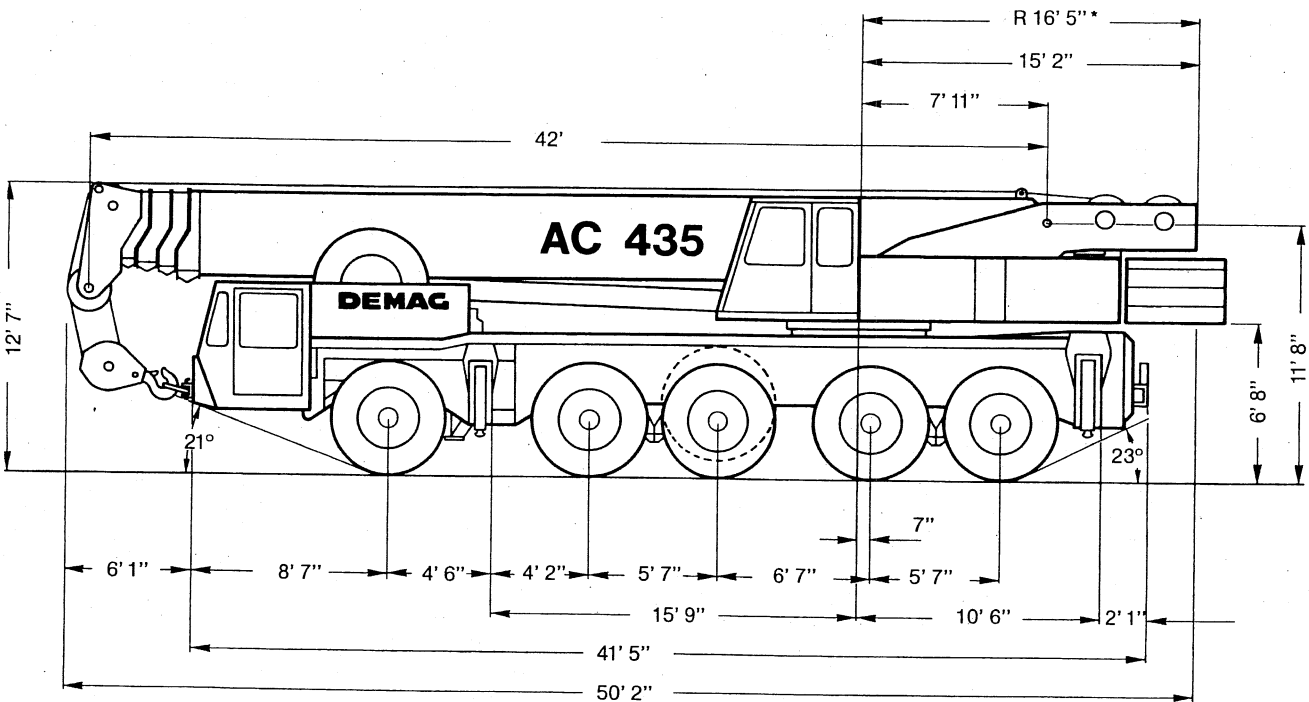
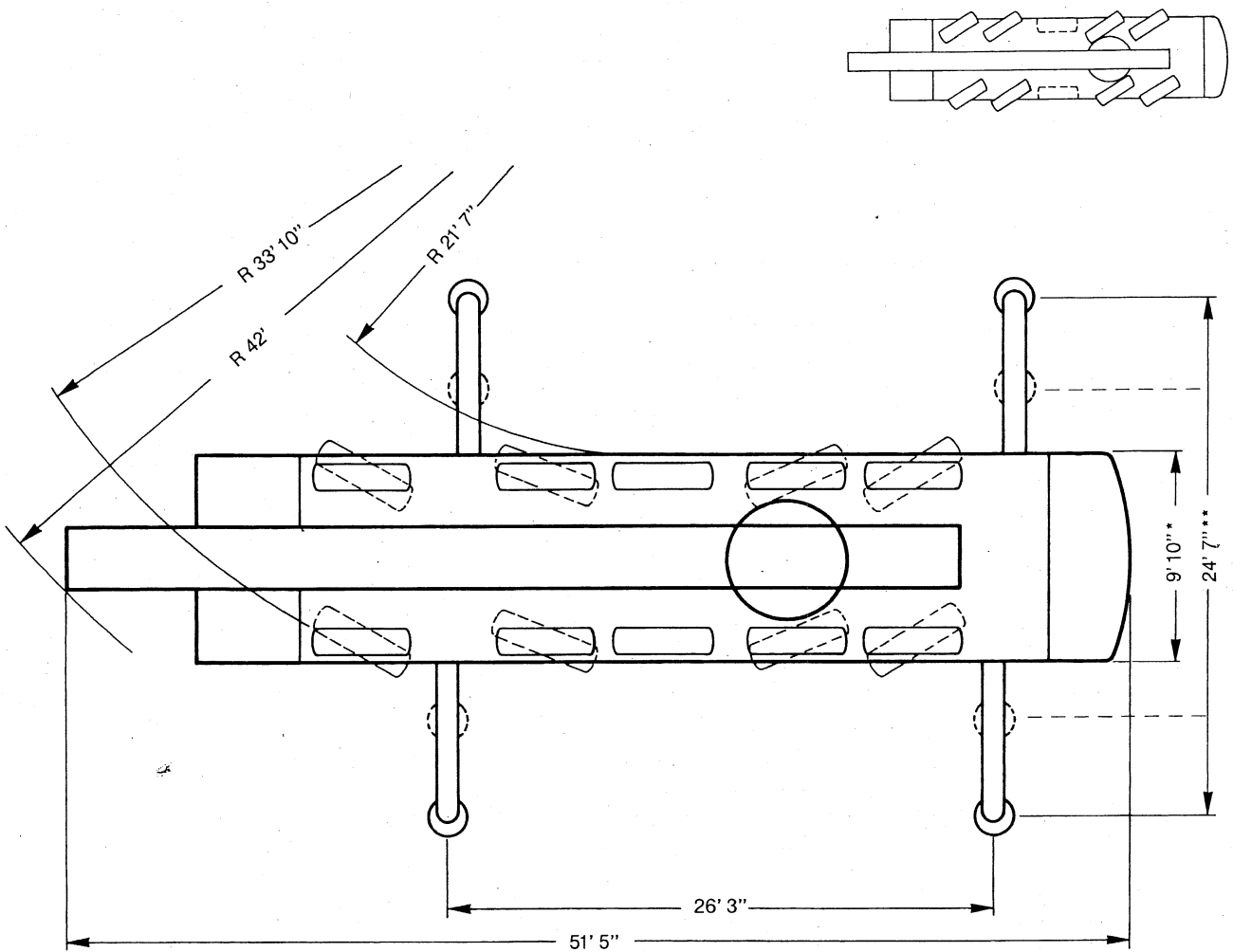


# Dimensions



\* Width with more than 59,000 lb of counterweight: 16' 5"; tail swing: 16' 11"

# Dimensions

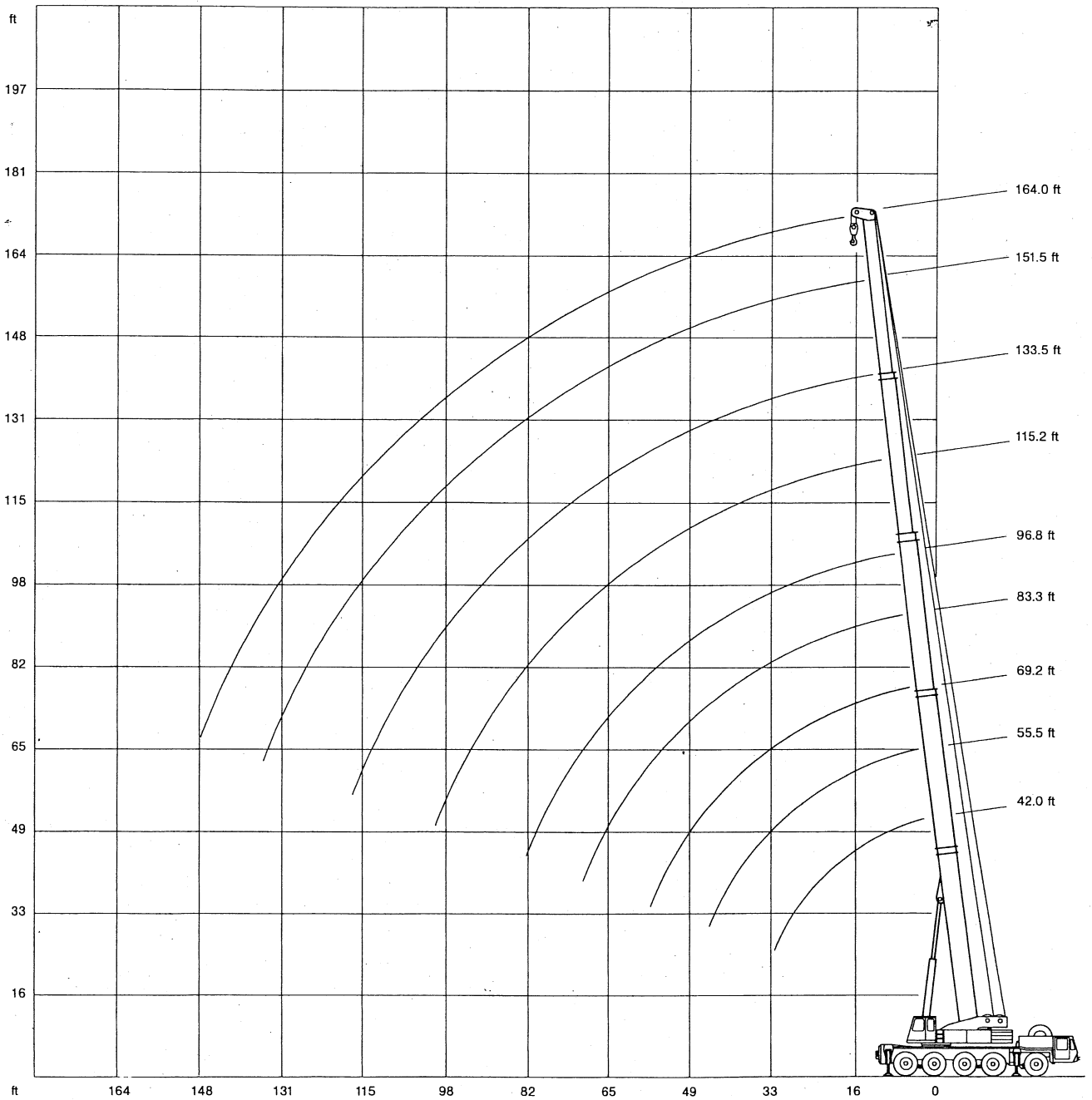


\* Width with more than 59,000 lb of counterweight: 16' 5", tail swing: 16' 11"

\*\* Duties for outrigger base 16' upon request

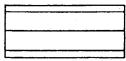
TAIL SWING: 17' 9" W/ 103,000 CWT

# Working range main boom



# Lifting capacities main boom in 1,000 lb

103,000 lb.  
~~97,000 lb~~



360°

85%

Radius ft	Main boom								
	42.0 ft	55.5 ft*	69.2 ft*	83.3 ft*	96.8 ft*	115.2 ft	133.5 ft	151.5 ft	164.0 ft
10.0	360.0 <sup>1)</sup> / 327.0 <sup>2)</sup>	198.0	-	-	-	-	-	-	-
11.0	308.0 <sup>2)</sup>	198.0	198.0	-	-	-	-	-	-
13.0	277.0	198.0	198.0	165.0	132.0	-	-	-	-
15.0	251.0	198.0	198.0	164.5	132.0	-	-	-	-
16.0	243.0	198.0	198.0	161.0	132.0	83.5	-	-	-
19.0	215.0	198.0	194.5	149.5	132.0	83.5	79.0	-	-
23.0	180.5	178.0	175.0	134.5	123.5	83.5	79.0	61.5	-
26.0	159.5	156.5	155.0	124.5	116.5	83.5	78.0	61.5	46.2
29.0	141.0	139.5	137.5	116.0	109.5	83.5	75.5	61.5	46.2
33.0	-	120.5	118.5	105.5	100.5	83.5	71.5	61.0	46.2
39.0	-	98.0	96.5	91.5	88.0	75.5	66.5	57.5	46.2
46.0	-	-	75.0	77.0	75.5	67.0	60.5	53.3	46.2
52.0	-	-	61.5	63.0	62.5	60.5	55.7	49.2	44.2
59.0	-	-	-	51.2	50.8	54.5	50.5	44.3	41.4
65.0	-	-	-	43.5	42.9	48.4	45.8	40.7	38.6
72.0	-	-	-	-	35.8	41.4	41.5	36.9	35.5
79.0	-	-	-	-	29.9	35.5	35.7	33.6	32.2
85.0	-	-	-	-	-	31.3	31.5	30.7	29.4
92.0	-	-	-	-	-	27.2	27.4	27.4	26.8
98.0	-	-	-	-	-	24.4	24.6	24.4	24.2
105.0	-	-	-	-	-	-	21.3	21.3	20.9
111.0	-	-	-	-	-	-	19.1	18.9	18.7
118.0	-	-	-	-	-	-	-	16.7	16.1
124.0	-	-	-	-	-	-	-	14.9	14.3
131.0	-	-	-	-	-	-	-	13.0	12.4
138.0	-	-	-	-	-	-	-	-	10.9
144.0	-	-	-	-	-	-	-	-	9.5

Boom extension sequence

									%
Tele 1	0	45	90	68	90	60	75	90	100
Tele 2	0	0	0	68	90	60	75	90	100
Tele 3	0	0	0	0	0	60	75	90	100
Tele 4	0	0	0	0	0	60	75	90	100

\*) Tele 1 pinned


1) static, test load only

2) only over rear!

Duties above 220,000 lb with heavy-duty attachment only.

# Lifting capacities main boom in 1,000 lb

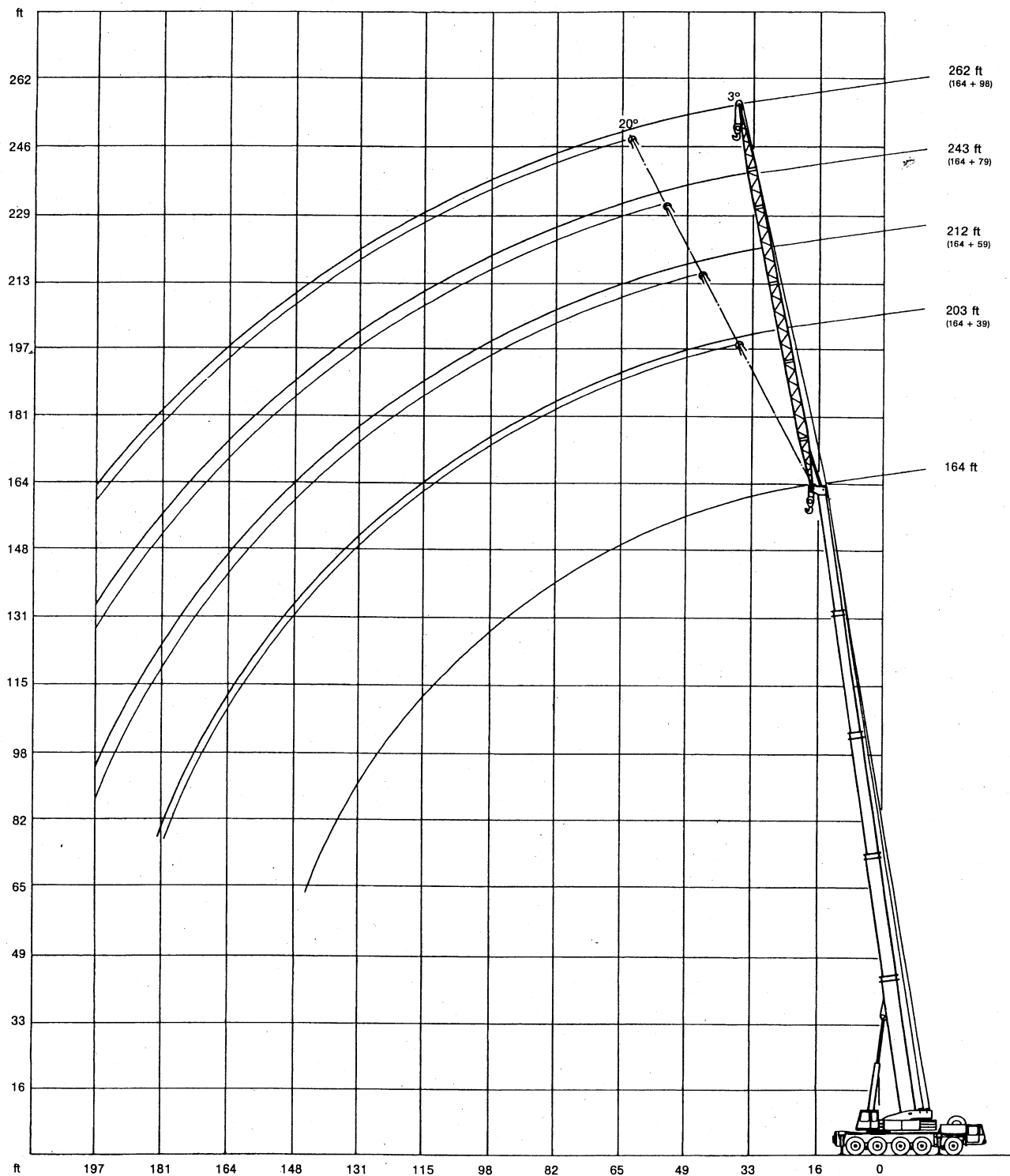
**59,500 lb**   **360°** **85%**

Radius ft	Main boom															
	42.0 ft	55.5 ft*	69.2 ft*	83.3 ft*	96.8 ft*	115.2 ft	133.5 ft	151.5 ft	164.0 ft	42.0 ft 	69.2 ft					
	1,000 lb															
10.0	316.0	198.0	-	-	-	-	-	-	-	-	-	-	-	-	-	-
11.0	299.0	198.0	198.0	-	-	-	-	-	-	-	-	-	-	-	-	-
13.0	268.0	198.0	198.0	165.0	77.0	132.0	77.0	-	-	-	-	-	-	-	-	-
15.0	244.0	198.0	198.0	164.5	77.0	132.0	77.0	-	-	-	-	-	-	-	-	-
16.0	233.0	198.0	198.0	161.0	77.0	132.0	77.0	83.5	66.0	-	-	-	-	-	43.0	39.7
19.0	200.0	191.5	190.5	149.5	77.0	132.0	77.0	83.5	66.0	79.0	41.8	-	-	-	40.4	37.1
23.0	164.5	161.5	160.0	134.5	77.0	123.5	76.5	83.5	64.5	79.0	41.8	61.5	-	-	34.0	30.5
26.0	143.0	140.0	138.0	124.5	77.0	116.5	73.0	83.5	61.5	78.0	41.8	61.5	46.2	-	27.2	23.7
29.0	125.5	122.5	120.0	116.0	77.0	109.5	69.0	83.5	58.3	75.5	41.8	61.5	46.2	-	23.2	19.9
33.0	-	98.5	96.0	98.0	72.5	97.5	64.5	83.5	54.0	71.5	41.7	61.0	46.2	-	19.9	16.6
39.0	-	73.5	71.5	73.5	65.5	72.5	57.3	75.5	47.9	66.5	37.3	57.5	46.2	-	-	12.8
46.0	-	-	53.2	54.7	55.4	54.3	50.6	60.5	41.3	60.5	32.5	53.3	46.2	-	-	8.8
52.0	-	-	42.7	44.2	48.0	43.6	45.8	49.8	36.5	50.2	28.9	49.2	44.2	-	-	5.0
59.0	-	-	-	34.6	41.0	34.2	39.7	40.2	32.0	40.4	25.6	40.4	40.1	-	-	2.6
65.0	-	-	-	28.2	35.8	27.7	35.2	33.9	28.7	34.3	23.5	34.3	34.1	-	-	-
72.0	-	-	-	-	-	21.7	30.5	28.1	26.2	28.3	21.2	28.3	28.1	-	-	-
79.0	-	-	-	-	-	17.0	26.0	23.2	23.5	23.4	19.3	23.4	23.2	-	-	-
85.0	-	-	-	-	-	-	-	19.7	21.9	20.0	18.1	20.0	19.7	-	-	-
92.0	-	-	-	-	-	-	-	16.7	19.7	16.9	16.9	16.9	16.4	-	-	-
98.0	-	-	-	-	-	-	-	14.2	17.5	14.2	15.7	14.2	14.0	-	-	-
105.0	-	-	-	-	-	-	-	-	-	11.9	14.5	11.9	11.6	-	-	-
111.0	-	-	-	-	-	-	-	-	-	10.0	13.5	10.0	9.8	-	-	-
118.0	-	-	-	-	-	-	-	-	-	-	-	8.1	7.9	-	-	-
124.0	-	-	-	-	-	-	-	-	-	-	-	6.7	6.5	-	-	-
131.0	-	-	-	-	-	-	-	-	-	-	-	5.5	4.9	-	-	-
138.0	-	-	-	-	-	-	-	-	-	-	-	-	3.7	-	-	-
144.0	-	-	-	-	-	-	-	-	-	-	-	-	2.7	-	-	-

Boom extension sequence															%	
Tele 1	0	45	90	68	0	90	0	60	0	75	0	90	100	0	90	
Tele 2	0	0	0	68	45	90	60	60	80	75	100	90	100	0	0	
Tele 3	0	0	0	0	45	0	60	60	80	75	100	90	100	0	0	
Tele 4	0	0	0	0	45	0	60	60	80	75	100	90	100	0	0	

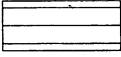

\*) Tele 1 pinned  
 Duties above 220,000 lb with heavy-duty attachment only.

# Working range fixed fly jib

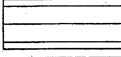
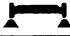


# Lifting capacities fixed fly jib in 1,000 lb

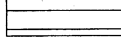

Main boom: 164 ft

~~103,000 lb~~  
~~97,000 lb~~   **360° 85%**

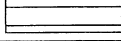

Radius	Fixed fly jib			
	39.0 ft		59.0 ft	
	3°	20°	3°	20°
ft	1,000 lb			
33	24.2	-	-	-
39	23.8	-	18.7	-
46	22.9	-	17.8	-
52	21.9	17.4	17.2	-
59	20.9	16.5	16.7	12.5
65	19.9	15.7	15.9	12.1
72	18.9	15.0	15.2	11.6
79	17.6	14.2	14.5	11.2
85	16.7	13.2	13.7	10.8
92	15.6	12.1	12.9	10.1
98	14.8	11.5	12.1	9.7
105	13.8	10.8	11.4	9.2
111	13.2	9.9	10.8	8.6
118	12.3	9.2	10.1	8.1
124	11.7	8.4	9.5	7.7
131	11.0	7.7	9.0	7.3
138	10.3	7.0	8.1	6.7
144	9.7	6.3	7.7	6.1
151	9.2	5.5	7.2	5.5
157	8.0	4.7	7.0	4.9
164	7.0	4.0	6.3	4.3
170	6.0	3.2	6.1	3.7
177	4.8	2.4	5.3	3.1
184	-	1.6	4.3	2.5
190	-	0.8	3.7	1.9

**59,500 lb**   **360° 85%**

Radius	Fixed fly jib							
	39.0 ft		59.0 ft		79.0 ft		98.0 ft	
	3°	20°	3°	20°	3°	20°	3°	20°
ft	1,000 lb							
33	24.2	-	-	-	-	-	-	-
39	23.8	-	18.7	-	-	-	-	-
46	22.9	-	17.8	-	13.8	-	-	-
52	21.9	17.4	17.2	-	13.2	-	9.9	-
59	20.9	16.5	16.7	12.5	12.7	-	9.7	-
65	19.9	15.7	15.9	12.1	11.9	-	9.3	-
72	18.9	15.0	15.2	11.6	11.4	8.8	8.8	-
79	17.6	14.2	14.5	11.2	10.9	8.3	8.1	-
85	16.7	13.2	13.7	10.8	10.1	8.1	7.9	6.1
92	15.6	12.1	12.9	10.1	9.6	7.7	7.4	5.9
98	14.8	11.5	12.1	9.7	9.2	7.5	7.0	5.7
105	13.2	10.8	11.4	9.2	8.8	7.2	6.8	5.5
111	11.4	9.9	10.8	8.6	8.2	6.8	6.4	5.1
118	9.2	9.2	9.9	8.1	7.7	6.6	5.9	4.8
124	7.8	8.4	8.3	7.7	7.3	6.2	5.5	4.6
131	6.2	7.3	7.0	7.2	6.8	5.7	5.0	4.4
138	4.8	5.9	5.2	6.7	6.1	5.2	4.8	4.1
144	3.8	4.7	4.4	5.5	4.9	4.8	4.4	3.9
151	2.6	3.2	3.2	4.3	3.9	4.6	4.1	3.3
157	-	2.4	2.4	3.3	2.9	4.2	3.3	3.1
164	-	-	-	2.4	-	3.3	2.4	2.8
170	-	-	-	-	-	2.7	-	2.4
177	-	-	-	-	-	-	-	2.2

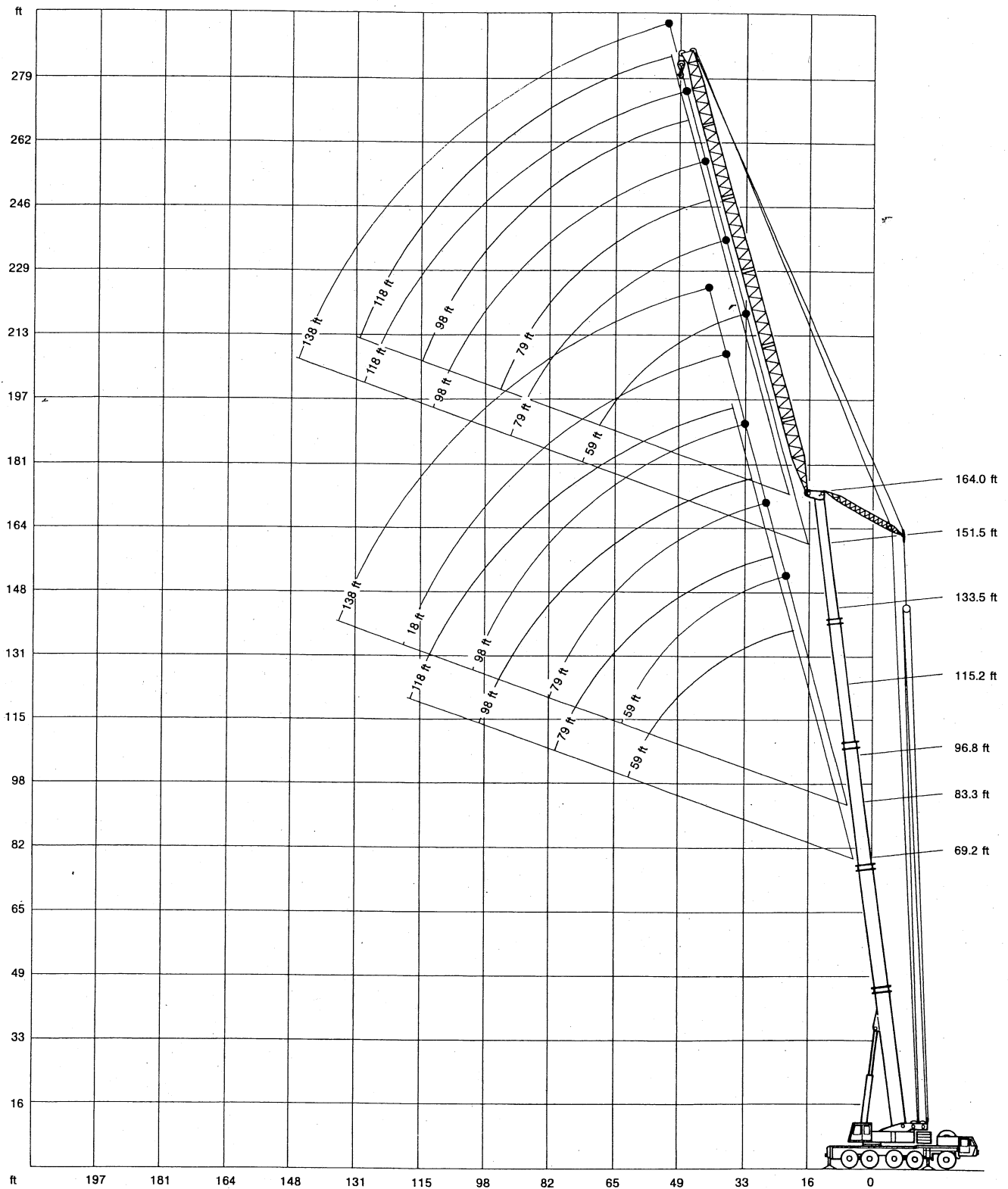
**42,000 lb**   **360° 85%**

Radius	Fixed fly jib							
	39.0 ft		59.0 ft		79.0 ft		98.0 ft	
	3°	20°	3°	20°	3°	20°	3°	20°
ft	1,000 lb							
33	24.2	-	-	-	-	-	-	-
39	23.8	-	18.7	-	-	-	-	-
46	22.9	-	17.8	-	13.8	-	-	-
52	21.9	17.4	17.2	-	13.2	-	9.9	-
59	20.9	16.5	16.7	12.5	12.7	-	9.7	-
65	19.9	15.7	15.9	12.1	11.9	-	9.3	-
72	18.9	15.0	15.2	11.6	11.4	8.8	8.8	-
79	17.5	14.2	14.5	11.2	10.9	8.3	8.1	-
85	14.6	13.2	13.7	10.8	10.1	8.1	7.9	6.1
92	11.8	12.1	11.8	10.1	9.6	7.7	7.4	5.9
98	9.8	11.5	10.0	9.7	9.2	7.5	7.0	5.7
105	7.7	9.2	7.9	9.2	8.1	7.2	6.8	5.5
111	6.1	7.4	6.5	8.6	6.9	6.8	6.4	5.1
118	4.4	5.7	4.8	7.0	5.1	6.6	5.0	4.8
124	3.2	4.3	3.8	5.4	4.0	6.2	4.0	4.6
131	-	2.9	2.4	4.2	2.9	5.1	2.9	4.4
138	-	-	-	2.8	-	3.9	-	4.1
144	-	-	-	-	-	2.9	-	3.3
151	-	-	-	-	-	-	-	2.4

**24,200 lb**   **360° 85%**

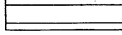

Radius	Fixed fly jib							
	39.0 ft		59.0 ft		79.0 ft		98.0 ft	
	3°	20°	3°	20°	3°	20°	3°	20°
ft	1,000 lb							
33	24.2	-	-	-	-	-	-	-
39	23.8	-	18.7	-	-	-	-	-
46	22.9	-	17.8	-	13.8	-	-	-
52	21.9	17.4	17.2	-	13.2	-	9.9	-
59	20.9	16.5	16.7	12.5	12.7	-	9.7	-
65	19.1	15.7	15.9	12.1	11.9	-	9.3	-
72	15.3	15.0	15.2	11.6	11.4	8.8	8.8	-
79	11.8	14.2	11.8	11.2	10.9	8.3	8.1	-
85	9.5	11.5	9.5	10.8	9.7	8.1	7.9	6.1
92	7.2	9.2	7.4	10.1	7.4	7.7	7.4	5.9
98	5.4	7.4	5.4	8.2	5.8	7.5	5.8	5.7
105	3.7	5.5	3.9	6.6	4.1	7.2	4.1	5.5
111	2.5	4.0	2.7	4.7	2.7	5.8	2.7	5.1
118	-	2.4	-	3.3	-	4.2	-	4.8
124	-	-	-	2.3	-	3.0	-	3.8
131	-	-	-	-	-	-	-	2.4

# Working range luffing fly jib, main boom 83°





# Lifting capacities luffing fly jib, main boom 83°, in 1,000 lb

59,500 lb   360° 75%

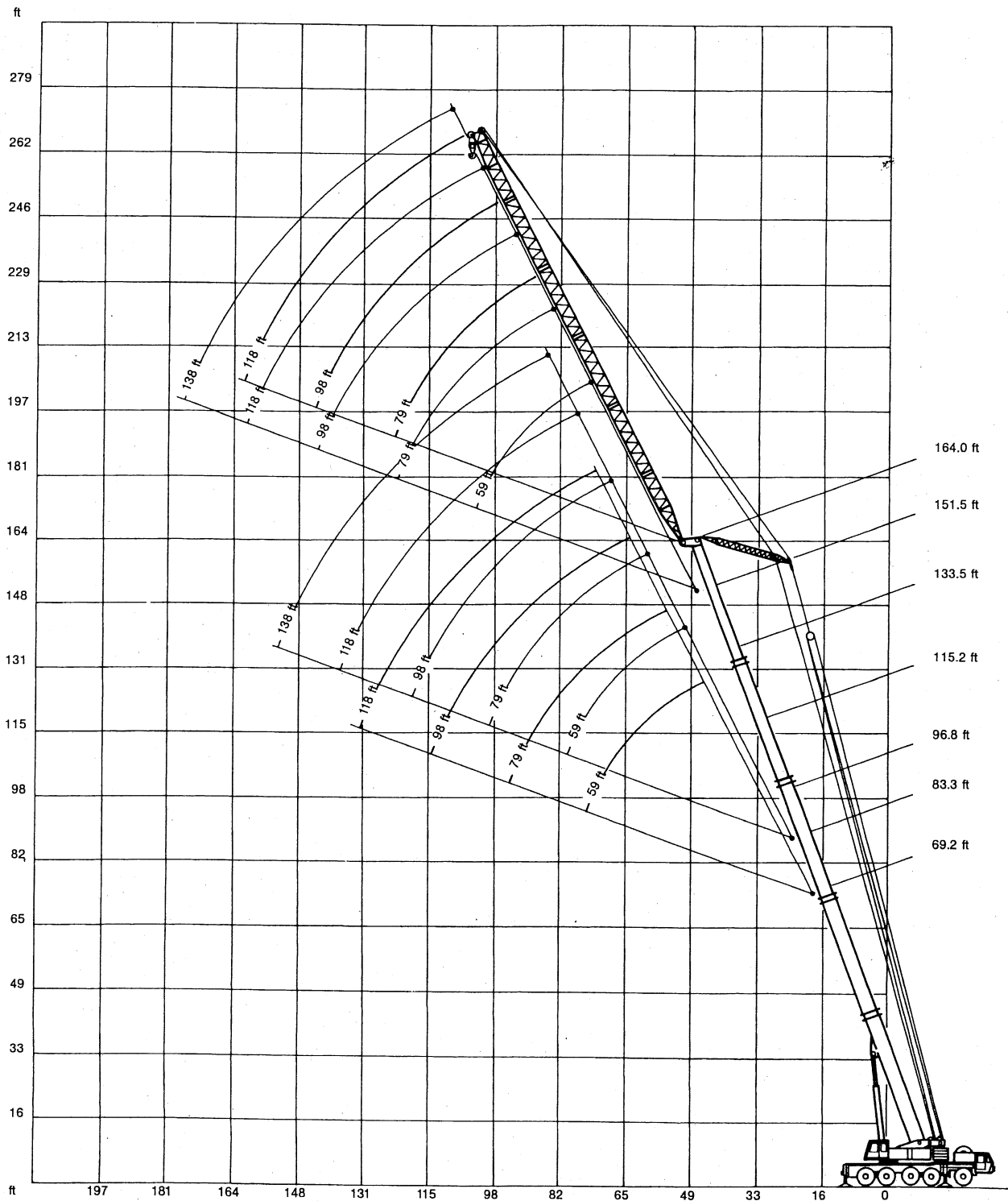
Boom	Radius	Luffing fly jib			
		59.0 ft	79.0 ft	98.0 ft	118.0 ft 138.0 ft
	ft	1,000 lb			
69.2 ft*	26	68.0	-	-	-
	29	67.0	-	-	-
	33	65.5	52.7	-	-
	39	54.0	48.7	37.6	-
	46	44.0	45.1	35.2	24.9
	52	37.5	40.7	33.2	23.8
	59	27.8	34.8	30.4	22.4
	65	-	30.6	28.6	21.0
	72	-	25.7	26.0	19.6
	79	-	-	24.1	18.2
	85	-	-	22.1	17.2
92	-	-	17.5	16.0	
98	-	-	-	15.0	
105	-	-	-	13.8	
111	-	-	-	12.6	
83.3 ft*	26	59.5	-	-	-
	29	59.5	-	-	-
	33	59.4	42.9	-	-
	39	56.4	41.9	32.0	-
	46	47.9	39.6	30.4	23.1
	52	40.5	38.0	29.2	22.1
	59	32.9	35.9	27.5	21.1
	65	-	32.5	26.1	20.3
	72	-	28.3	24.7	19.2
	79	-	21.3	23.0	18.0
	85	-	-	21.4	17.0
92	-	-	19.0	15.8	
98	-	-	14.8	14.8	
105	-	-	-	13.6	
111	-	-	-	12.6	
118	-	-	-	8.3	
124	-	-	-	7.7	
131	-	-	-	7.0	
96.8 ft*	29	50.7	-	-	-
	33	50.7	-	-	-
	39	50.7	35.3	-	-
	46	48.8	34.1	26.4	-
	52	42.2	33.1	25.8	19.8
	59	35.1	31.5	24.9	19.6
	65	-	30.5	23.5	19.0
	72	-	29.1	22.0	18.1
	79	-	23.3	20.9	17.1
	85	-	-	19.8	16.3
	92	-	-	18.4	14.9
98	-	-	16.8	14.3	
105	-	-	-	13.2	
111	-	-	-	12.4	
118	-	-	-	11.4	
124	-	-	-	7.5	
131	-	-	-	6.8	

\*Tele 1 verbolzt · pinned · verrouillé

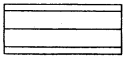

59,500 lb   360° 75%

Boom	Radius	Luffing fly jib			
		59.0 ft	79.0 ft	98.0 ft	118.0 ft 138.0 ft
	ft	1,000 lb			
115.2 ft	33	37.4	-	-	-
	39	36.6	27.6	-	-
	46	35.0	26.6	20.4	-
	52	30.9	26.0	19.8	16.1
	59	25.8	25.3	19.1	15.2
	65	20.4	24.7	18.5	14.6
	72	-	21.6	17.8	14.1
	79	-	18.1	17.1	13.4
	85	-	-	16.5	12.8
	92	-	-	15.8	12.3
	98	-	-	13.4	11.9
105	-	-	-	11.2	
111	-	-	-	10.8	
118	-	-	-	9.7	
124	-	-	-	6.8	
131	-	-	-	6.1	
138	-	-	-	5.4	
133.5 ft	39	27.1	20.7	-	-
	46	25.7	20.0	16.0	-
	52	24.9	19.4	15.6	11.4
	59	24.0	18.7	14.9	11.0
	65	22.4	18.1	14.5	10.8
	72	-	17.6	14.1	10.3
	79	-	17.1	13.8	10.1
	85	-	15.9	13.4	9.9
	92	-	-	13.0	9.6
	98	-	-	12.8	9.4
	105	-	-	11.4	9.0
111	-	-	-	8.8	
118	-	-	-	8.6	
124	-	-	-	5.5	
131	-	-	-	5.5	
138	-	-	-	5.5	
151.5 ft	39	22.1	-	-	-
	46	20.9	15.8	-	-
	52	19.9	15.4	11.0	-
	59	19.1	15.2	11.0	5.5
	65	18.3	15.0	11.0	5.5
	72	-	14.5	11.0	5.5
	79	-	14.3	10.7	5.5
	85	-	14.1	10.5	5.5
	92	-	-	10.3	5.5
	98	-	-	9.9	5.5
	105	-	-	9.6	5.5
111	-	-	-	5.5	
118	-	-	-	5.5	
124	-	-	-	5.5	
131	-	-	-	2.2	
138	-	-	-	2.2	
164.0 ft	39	-	-	-	-
	46	-	11.2	-	-
	52	-	11.2	7.7	-
	59	-	11.2	7.7	2.2
	65	-	11.2	7.7	2.2
	72	-	11.2	7.7	2.2
	79	-	11.2	7.7	2.2
	85	-	10.8	7.7	2.2
	92	-	-	7.7	2.2
	98	-	-	7.7	2.2
	105	-	-	7.7	2.2
111	-	-	-	2.2	
118	-	-	-	2.2	
124	-	-	-	2.2	

# Working range luffing fly jib, main boom 70°



# Lifting capacities luffing fly jib, main boom 70°, in 1,000 lb

**59,500 lb**   **360° 75%**

Boom	Radius	Luffing fly jib				
		59.0 ft	79.0 ft	98.0 ft	118.0 ft	138.0 ft
	ft	1,000 lb				
<b>69.2 ft*</b>	52	46.5	-	-	-	-
	59	39.5	-	-	-	-
	65	35.0	34.5	-	-	-
	72	30.7	30.3	26.0	-	-
	79	-	27.0	24.1	-	-
	85	-	24.5	22.1	17.0	-
	92	-	22.2	20.2	15.8	-
	98	-	-	19.2	14.8	-
	105	-	-	18.2	13.6	-
	111	-	-	17.0	12.6	-
	118	-	-	-	12.3	-
	124	-	-	-	12.1	-
<b>83.3 ft*</b>	59	38.1	-	-	-	-
	65	33.7	33.2	-	-	-
	72	29.6	29.2	-	-	-
	79	26.3	25.9	23.0	-	-
	85	-	23.4	21.4	17.0	-
	92	-	21.3	19.8	15.8	-
	98	-	19.7	18.3	14.8	10.4
	105	-	-	17.4	13.6	9.6
	111	-	-	16.2	12.6	9.0
	118	-	-	-	12.3	8.3
	124	-	-	-	12.1	7.7
	131	-	-	-	11.7	7.0
<b>96.8 ft*</b>	138	-	-	-	-	6.8
	144	-	-	-	-	6.4
	151	-	-	-	-	6.1
	65	31.8	-	-	-	-
	72	27.8	27.4	-	-	-
	79	24.8	24.3	-	-	-
	85	-	22.1	19.9	-	-
	92	-	20.0	18.4	14.0	-
	98	-	18.4	17.2	13.2	-
	105	-	-	16.3	12.7	9.4
	111	-	-	15.1	12.1	8.6
	118	-	-	13.9	11.6	8.1
124	-	-	-	11.2	7.5	
131	-	-	-	10.8	6.8	
138	-	-	-	10.3	6.3	
144	-	-	-	-	5.9	
151	-	-	-	-	5.7	
157	-	-	-	-	5.5	

\* Tele 1 verbolzt - pinned - verrouillé

**59,500 lb**   **360° 75%**

Boom	Radius	Luffing fly jib				
		59.0 ft	79.0 ft	98.0 ft	118.0 ft	138.0 ft
	ft	1,000 lb				
<b>115.2 ft</b>	72	28.3	-	-	-	-
	79	25.0	-	-	-	-
	85	22.8	22.3	-	-	-
	92	-	20.2	15.8	-	-
	98	-	18.6	15.0	11.9	-
	105	-	16.9	14.7	11.2	-
	111	-	-	14.3	10.8	7.7
	118	-	-	13.8	10.1	7.2
	124	-	-	13.2	9.7	6.8
	131	-	-	-	9.2	6.1
	138	-	-	-	9.0	5.5
	144	-	-	-	8.6	5.3
<b>133.5 ft</b>	151	-	-	-	-	5.0
	157	-	-	-	-	4.8
	164	-	-	-	-	4.6
	79	22.0	-	-	-	-
	85	21.2	16.7	-	-	-
	92	19.3	16.0	-	-	-
	98	-	15.8	12.8	-	-
	105	-	15.6	12.5	9.0	-
	111	-	14.8	12.3	8.8	-
	118	-	-	12.1	8.6	5.0
	124	-	-	11.9	8.4	5.0
	131	-	-	11.4	7.9	4.8
<b>151.5 ft</b>	138	-	-	-	7.4	4.8
	144	-	-	-	7.2	4.6
	151	-	-	-	7.0	4.6
	157	-	-	-	-	4.4
	164	-	-	-	-	4.1
	170	-	-	-	-	4.1
	85	13.2	-	-	-	-
	92	13.2	-	-	-	-
	98	13.2	12.7	-	-	-
	105	-	12.7	9.7	-	-
	111	-	12.7	9.7	4.8	-
	118	-	12.5	9.4	4.8	-
<b>164.0 ft</b>	124	-	-	9.4	4.8	2.2
	131	-	-	9.2	4.8	2.2
	138	-	-	9.0	4.8	2.2
	144	-	-	-	4.8	2.2
	151	-	-	-	4.8	2.2
	157	-	-	-	4.8	2.2
	164	-	-	-	-	2.2
	170	-	-	-	-	2.2
	177	-	-	-	-	2.2
	98	-	9.2	-	-	-
	105	-	8.8	5.7	-	-
	111	-	8.6	5.7	-	-
118	-	8.3	5.7	2.2	-	
124	-	8.3	5.7	2.2	-	
131	-	-	5.7	2.2	-	
138	-	-	5.7	2.2	-	
144	-	-	5.7	2.2	-	
151	-	-	-	2.2	-	
157	-	-	-	2.2	-	