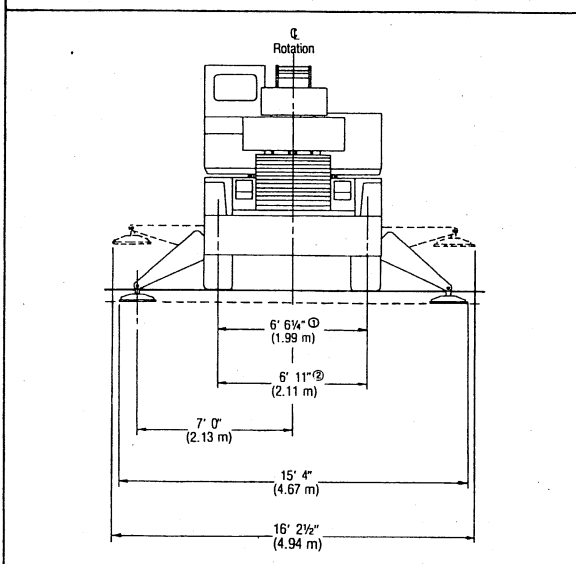
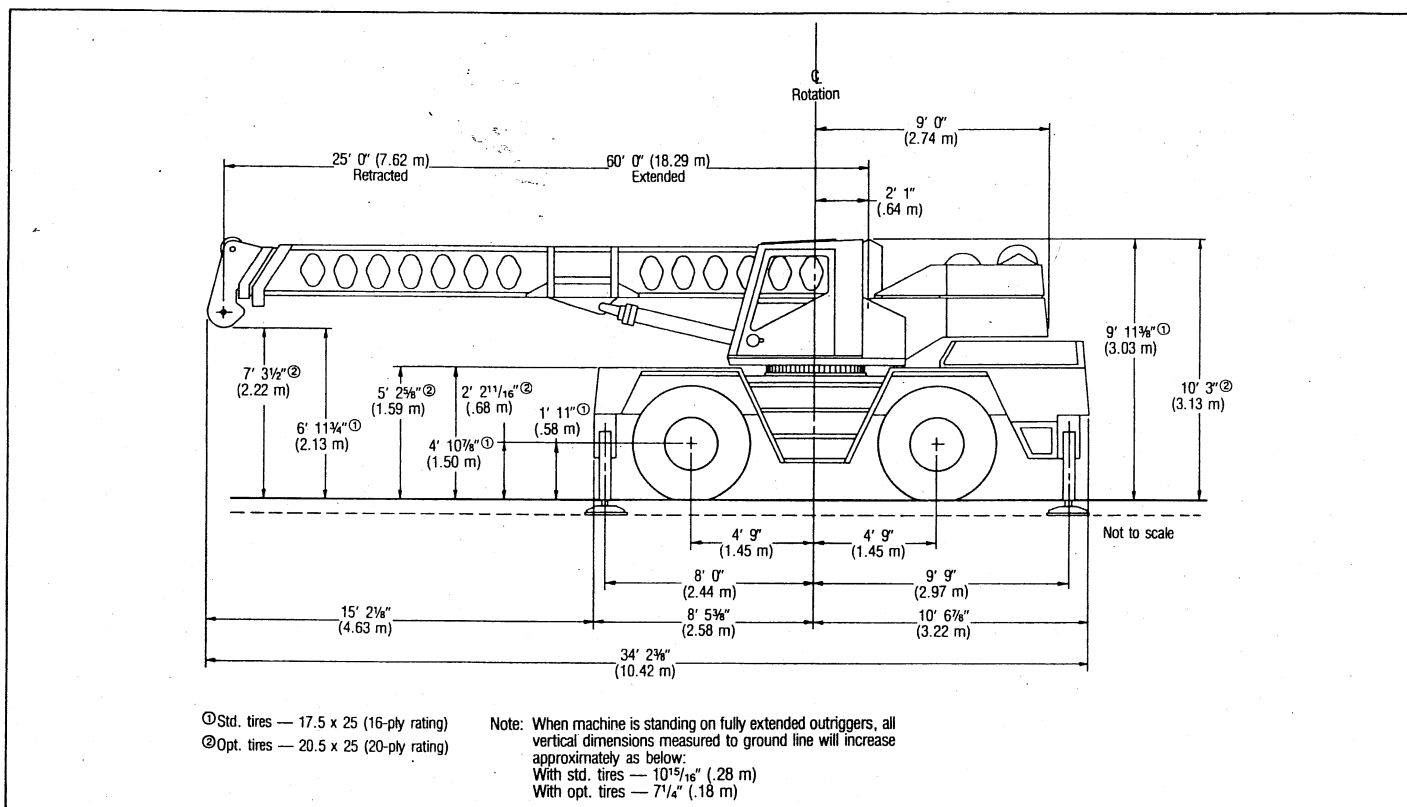


General Specifications

Link-Belt® 15-Ton (13.61 metric ton)

Hydraulic self-propelled crane

HSP-15



| General Dimensions | Feet | Meters |
|-----------------------------------------------------------|------------|--------|
| Over-all width [Ⓢ] | — | — |
| with std. tires | 7' 11 7/8" | 2.44 |
| with opt. tires | 8' 8 3/8" | 2.65 |
| Tailswing of counterweight | 9' 3 5/8" | 2.84 |
| Minimum ground clearance | — | — |
| with std. tires | 1' 2 1/2" | .37 |
| with opt. tires | 1' 6 1/4" | .47 |
| Ground clearance between tires and ground — on outriggers | — | — |
| with std. tires | 6 3/4" | .17 |
| with opt. tires | 3 7/8" | .10 |
| Wheelbase | 9' 6" | 2.90 |

ⓈOutriggers retracted

Link-Belt® HSP-15 lifting crane capacities

PSCA Class 10-54
Refer to **Notes** page 5

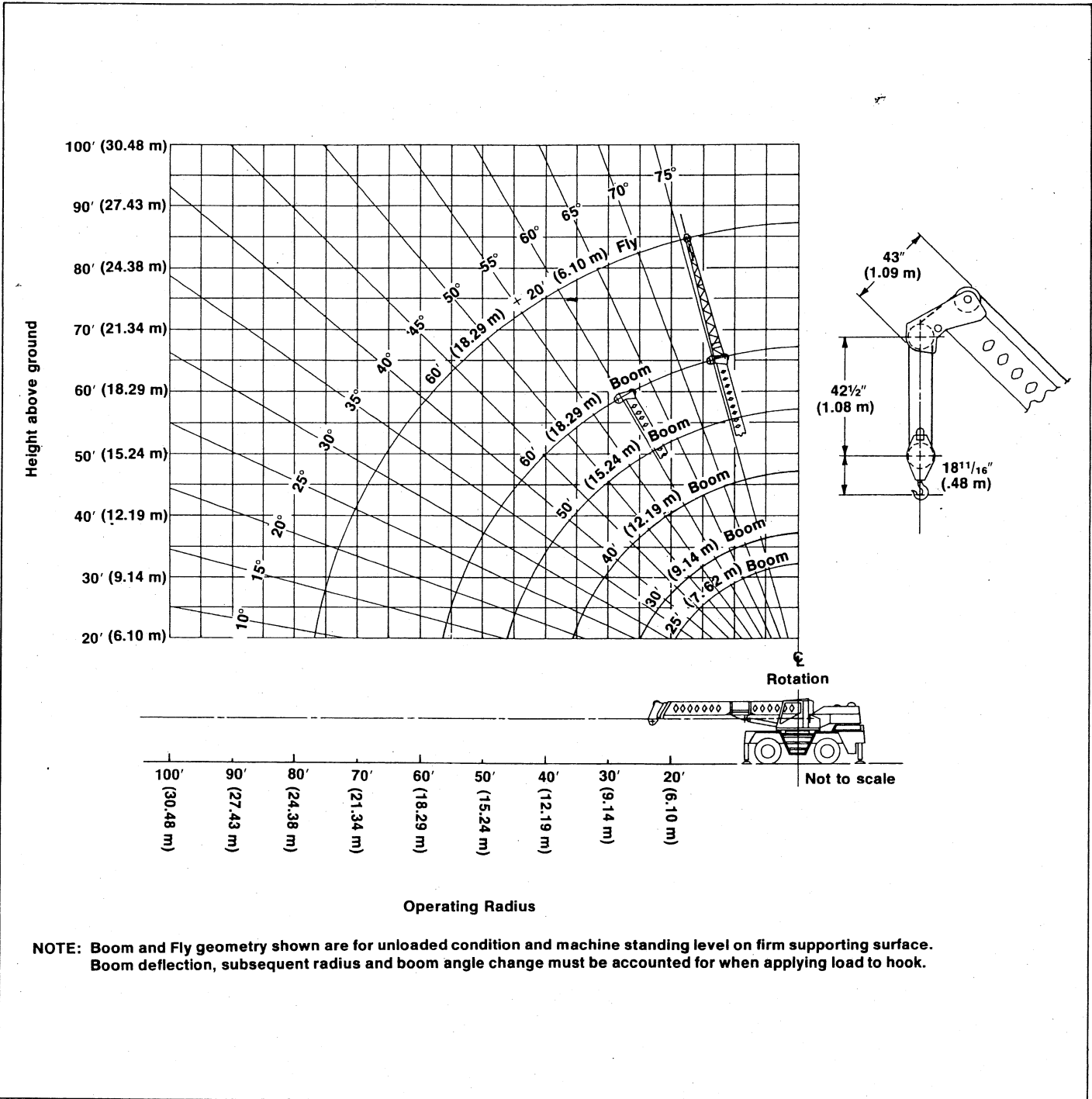
Boom — Three-section power boom;
25' - 60' (7.62 - 18.29 m) length.

Fly — Lattice type; 20' (6.10 m)
long, one-piece.

Counterweights — 4,950# (2 245 kg)
on 1-drum machine; 4,100# (1 860 kg)
on 2-drum machine.

Mounting — FMC self-propelled,
4 x 4 drive, 114" (2.93 m) wheelbase,
8' 0" (2.44 m) wide.

Boom/fly working ranges



HSP-15 lifting crane capacities

PCSA 10-54
Refer to Notes page 5

| 25' - 60' (7.62 - 18.29 m) Boom ① | | | | | | | | | |
|-----------------------------------|-------------|--------|-------------------|---------------------|--------|------------------------------------------------------------|---------|------------|---------|
| Boom Length | Load Radius | | Loaded Boom Angle | Boom Point Height ② | | Main Boom Capacities without fly mounted or stowed on boom | | | |
| | Feet | Meters | | Feet | Meters | On Outriggers | | 360° Swing | |
| | | | Pounds | | | Kilograms | Pounds | Kilograms | |
| 25' (7.62 m) | 10 | 3.05 | 62.0 | 29' 4" | 8.94 | 30,000* | 13 608* | 30,000* | 13 608* |
| | 12 | 3.66 | 56.6 | 28' 1" | 8.56 | 30,000* | 13 608* | 30,000* | 13 608* |
| | 13 | 3.96 | 53.8 | 27' 5" | 8.36 | 30,000* | 13 608* | 30,000* | 13 608* |
| | 14 | 4.27 | 50.9 | 26' 7" | 8.10 | 29,700* | 13 472* | 29,300* | 13 290* |
| | 15 | 4.57 | 47.8 | 25' 9" | 7.85 | 27,500* | 12 474* | 27,100* | 12 293* |
| | 20 | 6.10 | 28.9 | 19' 2" | 5.84 | 19,700* | 8 936* | 18,200 | 8 256 |
| 30' (9.14 m) | 10 | 3.05 | 67.1 | 34' 11" | 10.64 | 30,000* | 13 608* | 30,000* | 13 608* |
| | 12 | 3.66 | 62.9 | 33' 11" | 10.34 | 30,000* | 13 608* | 30,000* | 13 608* |
| | 13 | 3.96 | 60.7 | 33' 5" | 10.19 | 30,000* | 13 608* | 30,000* | 13 608* |
| | 14 | 4.27 | 58.5 | 32' 9" | 9.98 | 28,700* | 13 472* | 29,300* | 13 290* |
| | 15 | 4.57 | 56.2 | 32' 2" | 9.81 | 27,500* | 12 474* | 27,100* | 12 293* |
| | 20 | 6.10 | 43.5 | 27' 9" | 8.46 | 19,700* | 8 936* | 18,200 | 8 256 |
| 40' (12.19 m) | 25 | 7.62 | 26.3 | 20' 4" | 6.20 | 15,200* | 6 895* | 12,300 | 5 579 |
| | 10 | 3.05 | 73.5 | 45' 7" | 13.89 | 30,000* | 13 608* | 30,000* | 13 608* |
| | 12 | 3.66 | 70.4 | 44' 11" | 13.69 | 30,000* | 13 608* | 30,000* | 13 608* |
| | 13 | 3.96 | 68.9 | 44' 6" | 13.56 | 30,000* | 13 608* | 30,000* | 13 608* |
| | 14 | 4.27 | 67.3 | 44' 1" | 13.44 | 29,700* | 13 472* | 29,300* | 13 290* |
| | 15 | 4.57 | 65.7 | 43' 8" | 13.31 | 27,500* | 12 474* | 27,100* | 12 293* |
| | 20 | 6.10 | 57.5 | 40' 10" | 12.44 | 19,700* | 8 936* | 18,200 | 8 256 |
| | 25 | 7.62 | 48.3 | 36' 11" | 11.25 | 15,200* | 6 895* | 12,300 | 5 579 |
| 50' (15.24 m) | 30 | 9.14 | 37.6 | 31' 4" | 9.55 | 12,100 | 5 489 | 9,100 | 4 128 |
| | 35 | 10.67 | 22.9 | 22' 6" | 6.86 | 9,200 | 4 173 | 6,800 | 3 084 |
| | 13 | 3.96 | 73.9 | 55' 2" | 16.82 | 30,000 | 13 608 | 30,000 | 13 608 |
| | 14 | 4.27 | 72.7 | 54' 10" | 16.71 | 29,700* | 13 472* | 29,300* | 13 290* |
| | 15 | 4.57 | 71.4 | 54' 5" | 16.59 | 27,500* | 12 474* | 27,100* | 12 293* |
| | 20 | 6.10 | 65.1 | 52' 4" | 15.95 | 19,700* | 8 936* | 18,200 | 8 256 |
| | 25 | 7.62 | 58.5 | 49' 6" | 15.09 | 15,200* | 6 895* | 12,300 | 5 579 |
| | 30 | 9.14 | 51.3 | 45' 10" | 13.97 | 12,100 | 5 489 | 9,100 | 4 128 |
| 60' (18.29 m) | 35 | 10.67 | 43.3 | 41' 0" | 12.50 | 9,200 | 4 173 | 6,800 | 3 084 |
| | 40 | 12.19 | 33.8 | 34' 6" | 10.52 | 7,400 | 3 357 | 5,400 | 2 449 |
| | 45 | 13.72 | 20.7 | 24' 4" | 7.42 | 5,900 | 2 676 | 4,200 | 1 905 |
| | 17 | 5.18 | 73.2 | 64' 4" | 19.61 | 22,500* | 10 206* | 22,500* | 10 206* |
| | 20 | 6.10 | 70.2 | 63' 3" | 19.28 | 19,700* | 8 936* | 18,200 | 8 256 |
| | 25 | 7.62 | 64.9 | 61' 0" | 18.59 | 15,200* | 6 895* | 12,300 | 5 579 |
| 60' (18.29 m) | 30 | 9.14 | 59.3 | 58' 2" | 17.73 | 12,100 | 5 489 | 9,100 | 4 128 |
| | 35 | 10.67 | 53.4 | 54' 8" | 16.66 | 9,200 | 4 173 | 6,800 | 3 084 |
| | 40 | 12.19 | 46.9 | 50' 3" | 15.32 | 7,400 | 3 357 | 5,400 | 2 449 |
| | 45 | 13.72 | 39.7 | 44' 8" | 13.62 | 5,900 | 2 676 | 4,200 | 1 905 |
| | 50 | 15.24 | 31.1 | 37' 3" | 11.35 | 4,900 | 2 223 | 3,500 | 1 588 |
| | 55 | 16.76 | 19.3 | 25' 11" | 7.90 | 4,000 | 1 814 | 2,700 | 1 225 |

① Boom sections must be extended equal distance.

② Measured vertically from center of boom head sheave to ground — machine standing on outriggers.

HSP-15 lifting crane capacities

Refer to Notes page 5

| 25' - 60' (7.62 - 18.29 m) Boom ^① Plus 20' (6.10 m) Fly ^② | | | | | | | | | |
|---------------------------------------------------------------------------------|-------------|--------|-------------------|-----------------------------|--------|---------------|-----------|------------|-----------|
| Boom Plus Fly Length | Load Radius | | Loaded Boom Angle | Fly Tip Height ^③ | | On Outriggers | | | |
| | Feet | Meters | Degrees | Feet | Meters | Over Front | | 360° Swing | |
| | | | | | | Pounds | Kilograms | Pounds | Kilograms |
| 25' + 20' (7.62 m) + (6.10 m) | 10 | 3.05 | 73.6 | 50' 10" | 15.49 | 14,000* | 6 350* | 14,000* | 6 350* |
| | 12 | 3.66 | 71.1 | 50' 3" | 15.32 | 12,500* | 5 670* | 12,500* | 5 670* |
| | 15 | 4.57 | 67.1 | 49' 1" | 14.96 | 10,900* | 4 944* | 10,900* | 4 944* |
| | 20 | 6.10 | 60.3 | 46' 8" | 14.23 | 8,900* | 4 037* | 8,900* | 4 037* |
| | 25 | 7.62 | 52.7 | 43' 5" | 13.23 | 7,300* | 3 311* | 7,300* | 3 311* |
| | 30 | 9.14 | 44.5 | 39' 1" | 11.91 | 6,400* | 2 903* | 6,400* | 2 903* |
| | 35 | 10.67 | 34.8 | 33' 0" | 10.06 | 5,600* | 2 540* | 5,600* | 2 540* |
| 30' + 20' (9.14 m) + (6.10 m) | 40 | 12.19 | 21.5 | 23' 5" | 7.14 | 5,100* | 2 313* | 5,100* | 2 313* |
| | 12 | 3.66 | 73.1 | 55' 5" | 16.89 | 13,500* | 6 124* | 13,500* | 6 124* |
| | 15 | 4.57 | 69.6 | 54' 6" | 16.61 | 11,800* | 5 352* | 11,800* | 5 352* |
| | 20 | 6.10 | 63.5 | 52' 4" | 15.95 | 9,700* | 4 400* | 9,700* | 4 400* |
| | 25 | 7.62 | 57.2 | 49' 6" | 15.09 | 8,200* | 3 720* | 8,200* | 3 720* |
| | 30 | 9.14 | 50.0 | 45' 10" | 13.97 | 6,900* | 3 130* | 6,900* | 3 130* |
| | 35 | 10.67 | 42.3 | 41' 0" | 12.50 | 6,200* | 2 812* | 6,200* | 2 812* |
| 40' + 20' (12.19 m) + (6.10 m) | 40 | 12.19 | 33.2 | 34' 6" | 10.52 | 5,600* | 2 540* | 5,600* | 2 540* |
| | 45 | 13.72 | 20.4 | 24' 4" | 7.42 | 5,100* | 2 313* | 5,100* | 2 313* |
| | 15 | 4.57 | 73.3 | 65' 0" | 19.81 | 13,300* | 6 033* | 13,300* | 6 033* |
| | 20 | 6.10 | 68.5 | 63' 3" | 19.28 | 11,100* | 5 035* | 11,100* | 5 035* |
| | 25 | 7.62 | 63.4 | 61' 0" | 18.59 | 9,500* | 4 309* | 9,500* | 4 309* |
| | 30 | 9.14 | 58.1 | 58' 2" | 17.73 | 8,300* | 3 765* | 8,300* | 3 765* |
| | 35 | 10.67 | 52.1 | 54' 8" | 16.66 | 7,200* | 3 266* | 7,200* | 3 266* |
| 50' + 20' (15.24 m) + (6.10 m) | 40 | 12.19 | 45.9 | 50' 3" | 15.32 | 6,500* | 2 948* | 6,300* | 2 858 |
| | 45 | 13.72 | 39.0 | 44' 8" | 13.62 | 5,900* | 2 676* | 5,100* | 2 313 |
| | 50 | 15.24 | 30.7 | 37' 3" | 11.35 | 5,400* | 2 449* | 4,200* | 1 905 |
| | 55 | 16.76 | 18.4 | 26' 0" | 7.92 | 4,700* | 2 132 | 3,400* | 1 542 |
| | 20 | 6.10 | 72.1 | 73' 11" | 22.53 | 12,200* | 5 534* | 12,200* | 5 534* |
| | 25 | 7.62 | 67.9 | 72' 0" | 21.95 | 10,500* | 4 763* | 10,500* | 4 763* |
| | 30 | 9.14 | 63.6 | 69' 8" | 21.24 | 9,300* | 4 218* | 9,300* | 4 218* |
| 60' + 20' (18.29 m) + (6.10 m) | 35 | 10.67 | 59.1 | 66' 10" | 20.37 | 8,300* | 3 765* | 7,700* | 3 493 |
| | 40 | 12.19 | 54.0 | 63' 5" | 19.33 | 7,300* | 3 311* | 6,100* | 2 767 |
| | 45 | 13.72 | 48.8 | 59' 3" | 18.06 | 6,700* | 3 039 | 5,000* | 2 268 |
| | 50 | 15.24 | 42.7 | 54' 3" | 16.54 | 5,500* | 2 495 | 4,000* | 1 814 |
| | 55 | 16.76 | 36.1 | 48' 0" | 14.63 | 4,600* | 2 087 | 3,300* | 1 497 |
| | 60 | 18.29 | 28.3 | 39' 10" | 12.14 | 3,900* | 1 769 | 2,700* | 1 225 |
| | 65 | 19.81 | 17.5 | 27' 6" | 8.38 | 3,300* | 1 497 | 2,300* | 1 043 |
| 60' + 20' (18.29 m) + (6.10 m) | 25 | 7.62 | 71.5 | 82' 9" | 25.22 | 11,400* | 5 171* | 11,400* | 5 171* |
| | 30 | 9.14 | 67.8 | 80' 9" | 24.61 | 9,900* | 4 491* | 9,900* | 4 491 |
| | 35 | 10.67 | 63.9 | 78' 4" | 23.87 | 8,500* | 3 856* | 7,600* | 3 447 |
| | 40 | 12.19 | 59.7 | 75' 6" | 23.01 | 7,600* | 3 447* | 6,000* | 2 722 |
| | 45 | 13.72 | 55.2 | 72' 2" | 22.00 | 6,500* | 2 948 | 4,800* | 2 177 |
| | 50 | 15.24 | 50.6 | 68' 2" | 20.78 | 5,400* | 2 449 | 4,000* | 1 814 |
| | 55 | 16.76 | 45.7 | 63' 6" | 19.35 | 4,500* | 2 041 | 3,200* | 1 452 |
| | 60 | 18.29 | 40.3 | 57' 11" | 17.65 | 3,800* | 1 724 | 2,700* | 1 225 |
| | 65 | 19.81 | 34.2 | 51' 1" | 15.57 | 3,200* | 1 452 | 2,200* | 998 |
| 70 | 21.34 | 27.0 | 42' 2" | 12.85 | 2,700* | 1 225 | 1,800* | 816 | |
| 75 | 22.86 | 16.9 | 28' 11" | 8.81 | 2,300* | 1 043 | 1,400* | 635 | |

① Boom sections must be extended equal distance.

② Capacities listed are for 20' (6.10 m) one-piece fly.

③ Measured vertically from center of fly peak sheave to ground — machine standing on outriggers.